

Edirol V-8 Specifications

Video Format	Video: NTSC or PAL (ITU601) PC-RGB: 640 x 480/120 Hz, 800 x 600/120 Hz, 832 x 624/75 Hz, 1024 x 768/80 Hz, 1152 x 864/80 Hz, 1152 x 870/75 Hz, 1280 x 1024/75 Hz, 1600 x 1200/60 Hz (RGB VH: positive/negative logic) * VESA DMT Version 1.0 Revision 10 conform. * The refresh rate is the maximum value of each resolution.
Video Sampling Rate	Video: 4:2:2 (Y:B-Y:R-Y), 8-bit, 13.5 MHz
Frame Synchronizer	2 systems
Input Level and Impedance	Video (composite): 1.0 Vp-p, 75 ohms S-video: <Luminance signal> 1.0 Vp-p, 75 ohms <Chrominance signal> 0.286 mVp-p, 75 ohms (NTSC) / 0.3 mVp-p, 75 ohms (PAL) PC-RGB: 0.7 Vp-p, 75 ohms (H, V: 5 V TTL)
Output Level and Impedance	Video (composite): 1.0 Vp-p, 75 ohms S-video: <Luminance signal> 0 Vp-p, 75 ohms <Chrominance signal> 0.286 mVp-p, 75 ohms (NTSC) / 0.3 mVp-p, 75 ohms (PAL)
Connectors	Input Video (composite): BNC type x 7 (Ch 1 - 7) S-video: 4-pin mini DIN type x 4 (Ch 5 - 8) PC-RGB: D-SUB 15pin Shrink Type x 2 (Ch8: PC1 / PC2) * Inputs 5 - 8; however if S-video is simultaneously input to 5-8, S-video takes priority Output Video (composite): BNC type x 2, S-video: 4-pin mini DIN type x 1 Preview Output Video (composite): BNC type x 1 (OSD Menu) Monitor Output Video (composite): BNC type x 8 (Ch 1 - 8)
Remote Control Interfaces	MIDI IN: 5-pin DIN type x 1, MIDI OUT/THRU: 5-pin DIN type x 1
Transition effects (more than 200 types)	Mix (Dissolve, Non-Additive Mix : NAM, Full-Additive Mix : FAM), Wipe (Hard edge wipe, Soft edge wipe), Key, Slide, Stretch, User Transition Still, Strobe, Afterimage, Feedback, Shake, Negative, Colorize,
Video effects	Find Edge, Silhouette, Mono Color, Emboss, Posterize, Color Pass, Luminance key, Chroma key, Flip, Multi, Mirror, Picture-in-picture
Power Supply	DC 9 V (AC Adaptor: Roland PSB-1U)
Current Draw	2 A (Preliminary, AC Adaptor PSB-1U 0.4A)
Dimensions	238 (W) x 315 (D) x 134 (H) mm

(9-3/8 (W) x 12-7/16 (D) x 5-5/16 (H) inches)

Weight

3.2 kg (7 lbs 1 oz)

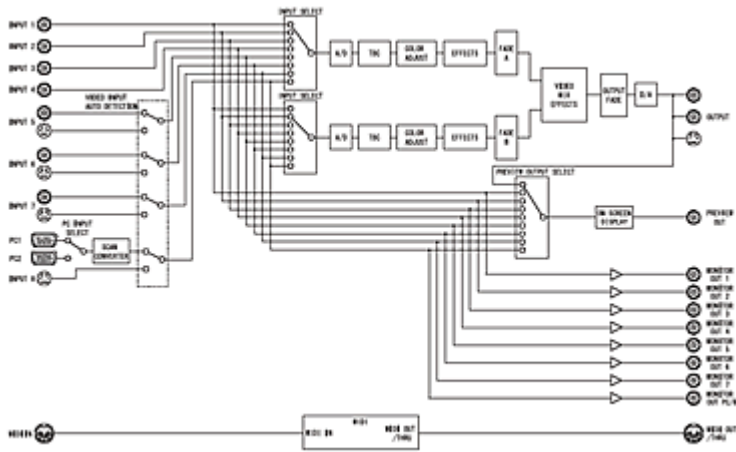
Accessories

AC Adaptor, Power Cord, BNC to RCA video adapter x 4,
mount screw for Video fader x 4, Owner's Manual

Options

Cross Fader: V-4CF

Block Diagram



Dimensions

